

Micro SD Card Connector

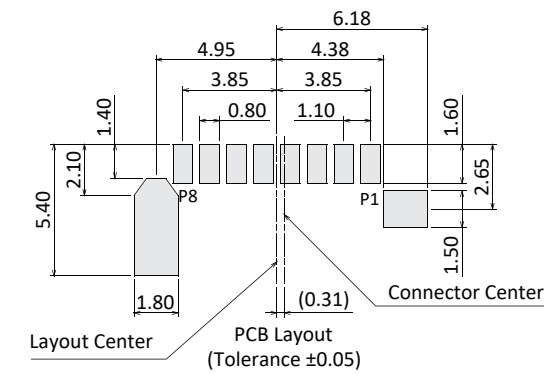
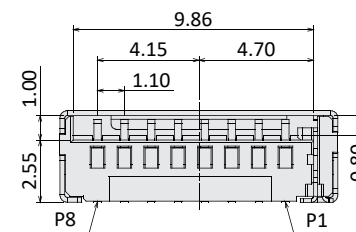
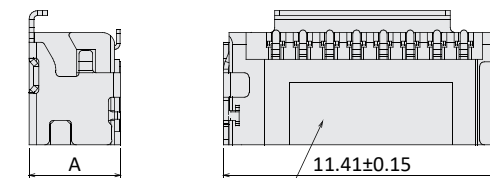
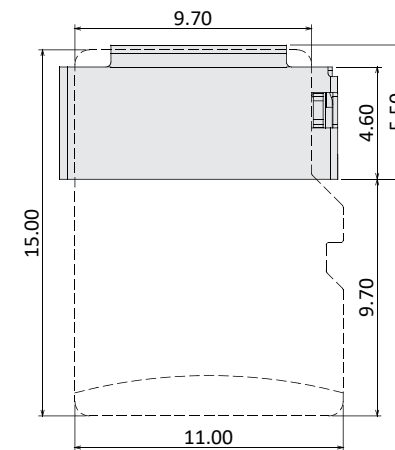
Current Rate: 0.5A
 Voltage Rate: 5V AC/DC
 Dielectric Voltage: 500V / 250V AC / minute
 Insulation Resistance: 1000MΩ Min.
 Contact Resistance: 50mΩ / 100mΩ Max.
 Material Contact: Copper Alloy, Gold / Tin
 Material Insulator: LCP, UL94V-0
 Operating Temperature: -40°C~+85°C



Micro SD Card Conn. Push Pull Type

Part No.: MSD-11108-XXX

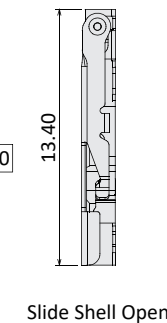
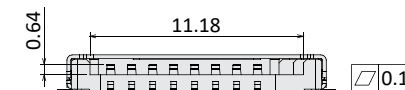
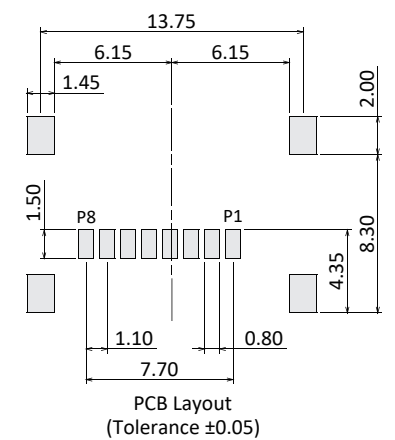
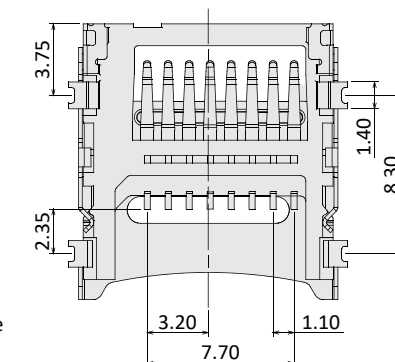
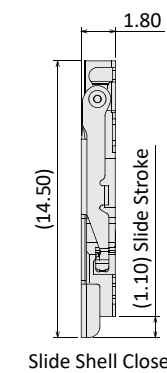
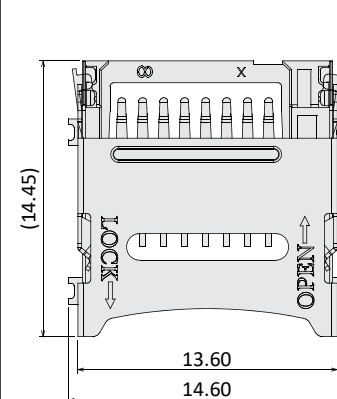
XXX: A=265=2.65mm
 A=285=2.85mm
 A=300=3.00mm
 A=375=3.75mm



No.	Pin Name
P1	DAT2
P2	CD/DAT3
P3	CMD
P4	VDD
P5	CLK
P6	VSS(GND)
P7	DAT0
P8	DAT1

Micro SD Card Conn. Hinge Type H=1.80mm

Part No.: MSD-193G0R



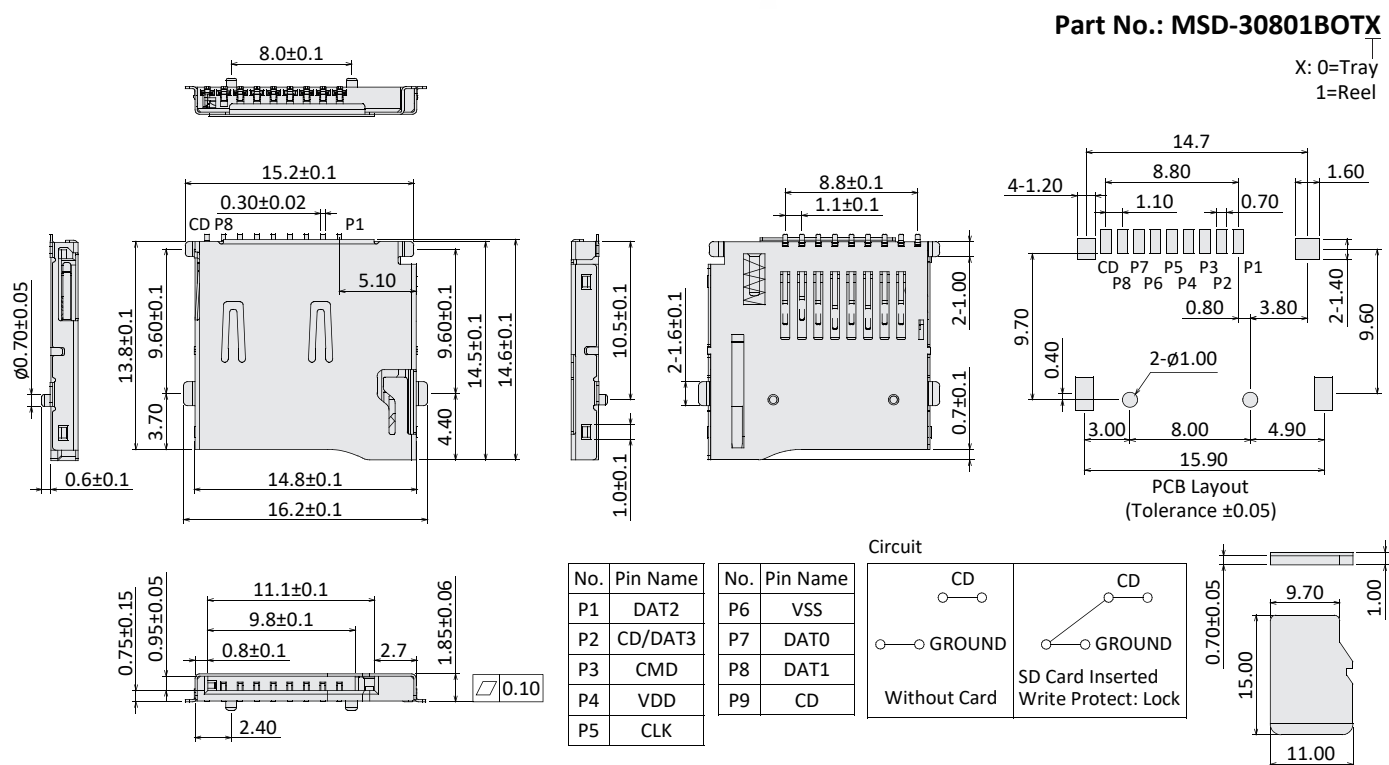
No.	Pin Name	Type
P1	DAT2	I/O/PP
P2	CD/DAT3	I/O/PP
P3	CMD	PP
P4	VDD	S
P5	CLK	I
P6	VSS(GND)	S
P7	DAT0	I/O/PP
P8	DAT1	I/O/PP

Micro SD Card Connector

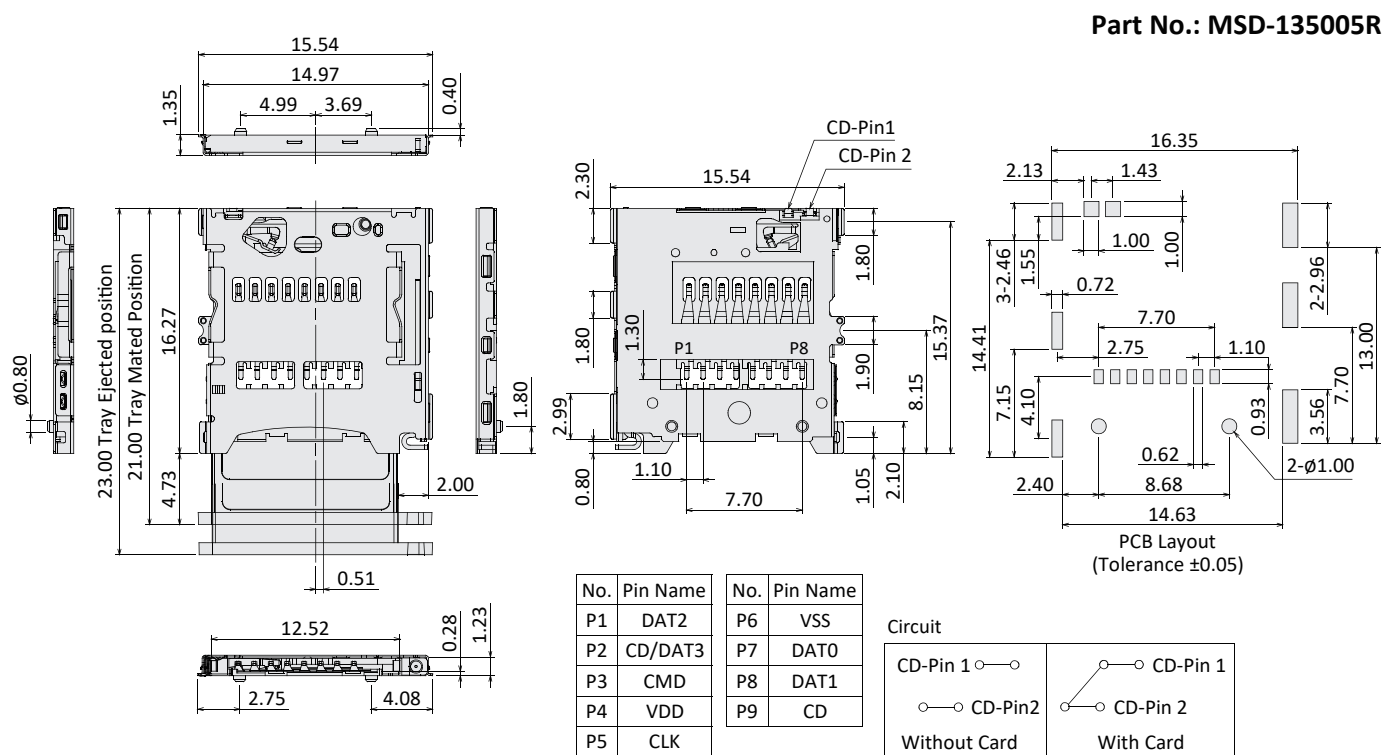
Current Rate: 0.5A
 Voltage Rate: 3.3V AC/DC
 Dielectric Voltage: 500V AC for one minute
 Insulation Resistance: 1000MΩ Min.
 Contact Resistance: 100mΩ / 50mΩ Max.
 Material Contact: Copper Alloy, Gold Plated
 Material Insulator: LCP, UL94V-0
 Operating Temperature: -40°C~+85°C



Micro SD Card Conn. Push Push Type H=1.85mm



Micro SD Card Conn. With Card Tray H=1.35mm

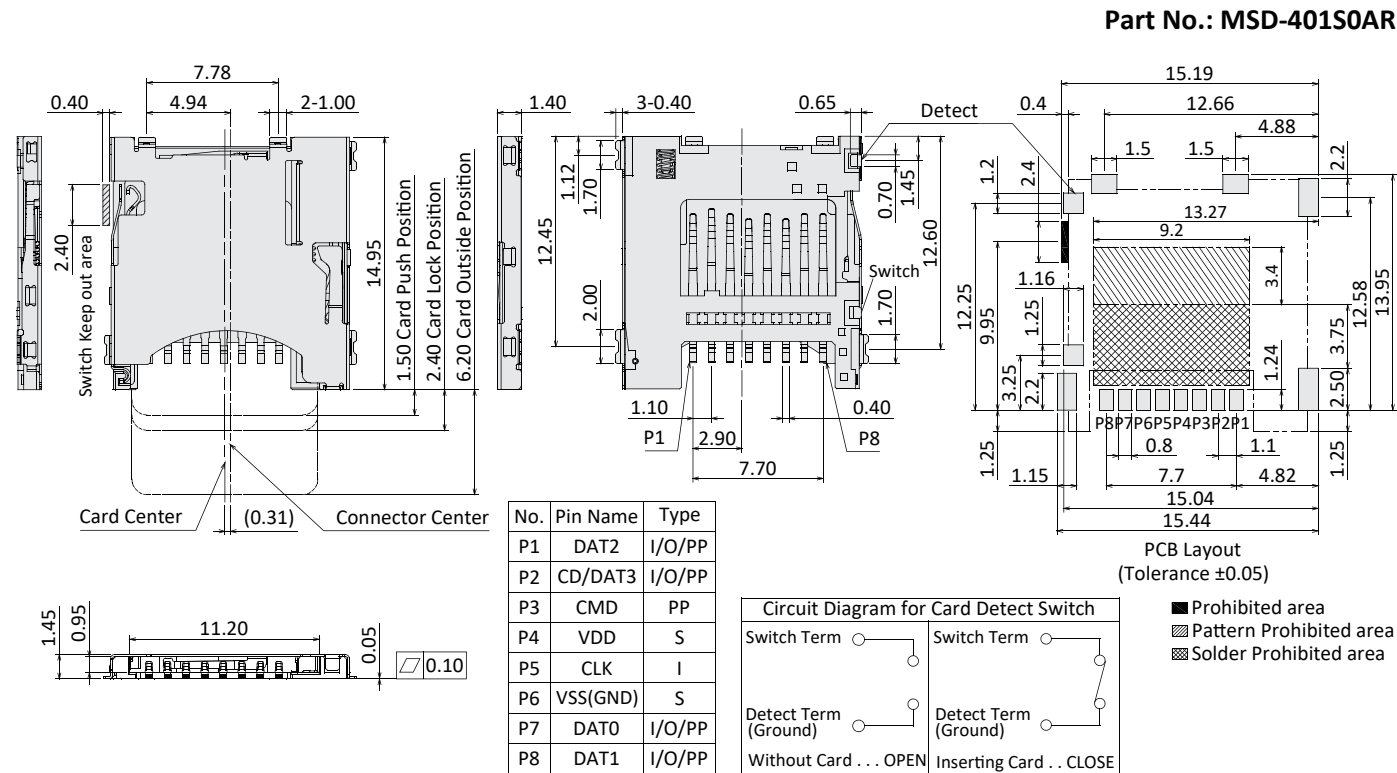


Micro SD Card Connector

Current Rate: 0.5A
 Voltage Rate: 5V AC/DC
 Dielectric Voltage: 500V AC for one minute
 Insulation Resistance: 1000MΩ Min.
 Contact Resistance: 100mΩ Max.
 Material Contact: Copper Alloy, Gold Plated
 Material Insulator: LCP, UL94V-0
 Operating Temperature: -40°C~+85°C



Micro SD Card Conn. Push Push Type H=1.45mm



Micro SD Card Conn. Push Push Type H=1.40mm

